

# HD Spigot™ S/H

**Real Time HD-SDI (SMPTE 292M) to HDMI Converter for Importing Unrestricted (No HDCP) HD Content From HD-SDI Cameras and Other Video Sources to HDMI Devices Such as Monitors, Encoders, and File Servers**



RoHS

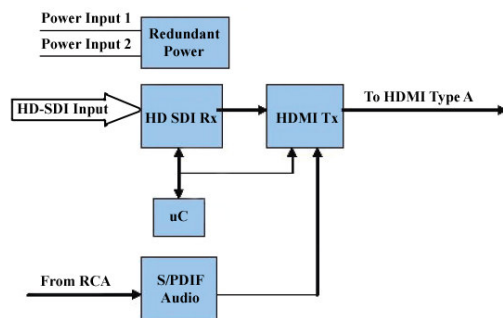
## Features

- Converts HD-SDI to HDMI in real time
- Input: SMPTE 292M (HD)
- Output: HDMI
- Supports 720p, 1080i (HD)
- Embedded Audio (up to 8 Channels)
- Supports S/PDIF audio input
- Redundant 12V DC power supplies
- OEM versions available
- Manufacturing license available
- RoHS compliant (2002/95/EC)

## Applications

- Connecting low cost HDMI monitors to HDSDI cameras and editing systems
- Electronic news gathering (ENG)
- Sports broadcasting

## Block Diagram



## Ordering Information

HD Spigot S/H

## Overview

HDMI has quickly become one of the major standards for uncompressed video in the consumer world. Many input devices support HDMI, such as cameras, digital set-top boxes and recorder/ players – and many more are yet to come.

On the professional side, many HD devices support HD-SDI as the preferred HD output. Most professional HD video sources generally support HD-SDI.

With **HD Spigot™ S/H**, professionals can interface professional HD-SDI equipment to new low cost HDMI devices. HD Spigot S/H converts HD-SDI to HDMI in real time. The HD-SDI input is fully compatible with SMPTE 292M. HD Spigot S/H supports 1080i or 720p HD.

HD Spigot S/H lets broadcasters and content providers use low cost HDMI monitors with HD-SDI cameras and editing systems.

## Specifications

<b>Dimensions</b>	
Width:	3.1" (7.8 cm)
Length:	5.65" (14.3 cm) incl. connectors
Thickness:	1.7" (4.3 cm)
<b>Typical Weight</b>	0.57 lbs (260 g)
<b>Output Connectors</b>	HDMI Type A
<b>Input Connectors</b>	75 Ohm BNC (HD-SDI Video) 75 Ohm RCA (S/PDIF Audio)
<b>Typical Power</b>	600mA at 12V
<b>Operating Temperature</b>	0 to 55 Celsius
<b>Operating Humidity</b>	To 90% non-condensing
<b>Status LED Indicators</b>	Power 1, Power 2



Linear Systems Canada Ltd.  
1717 Dublin Avenue, Unit 1  
Winnipeg, MB R3H 0H2 CANADA  
Phone (204) 632-4300 Fax (204) 697-2417  
[Sales@linsys.ca](mailto:Sales@linsys.ca) [www.linsys.ca](http://www.linsys.ca)